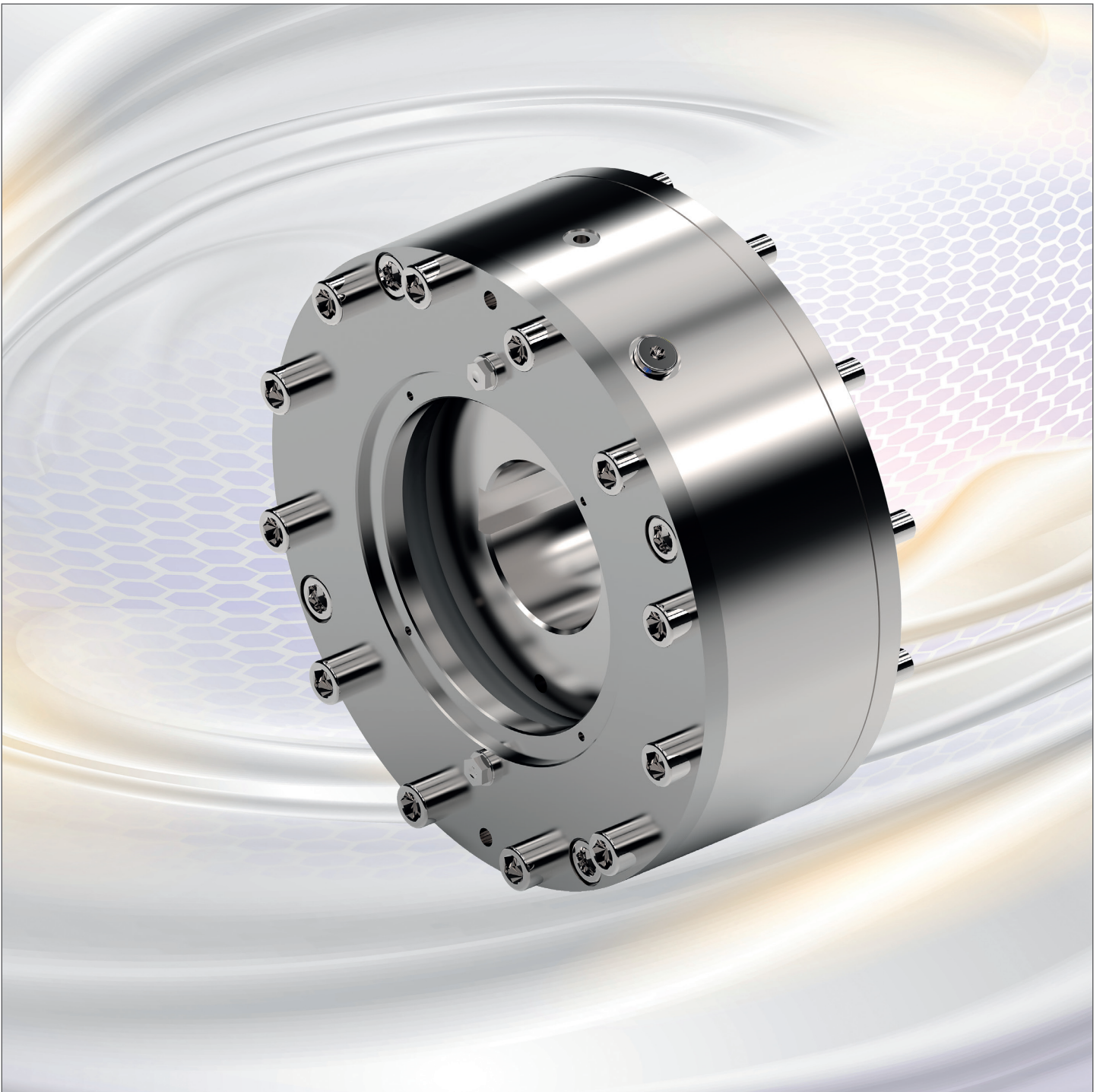


DESCH Servox® BRAKE



The DESCH Servox® - Brake



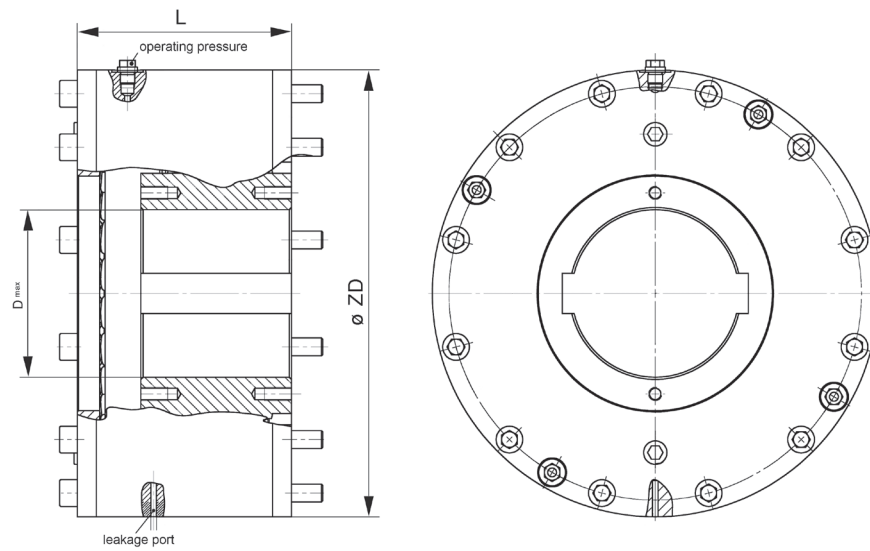
Description

- Static holding brake with emergency stop funktion
- Hydraulically released, spring applied
- Outer diameter same as competitive brakes, length different
- Friction material organic / steel liners, dry running
- Low inner mass moment of inertia
- Free of friction corrosion
- For all common hub-shaft-connections, e.g. feather key, spline, clamping device

Field of application

- Mechanical servo presses
- Generally in application as static holding brake, if applicable as dynamic safety brake

Technical Data



Servox® size		345	400	480
fit diameter ZD	mm	345 f7	400 f7	480 f7
bore D max.	mm	130	155	190
length L	mm	181	192	192
torque rate static	Nm	11 000	19 000	30 000
torque rate dynamic	Nm	9000	15 500	25 000
operating pressure max.	bar	320	320	320
release pressure min.	bar	50	50	50

CONTACT

DESCH Antriebstechnik GmbH & Co. KG
Postbox 1440
59753 Arnsberg/Germany
Kleinbahnstraße 21
59759 Arnsberg/Germany
T +49 2932 300 153
F +49 2932 300 899
sales@desch.com
www.desch.com



DESCH Canada Ltd.
240 Shearson Crescent
Cambridge
Ontario
Canada N 1T 1J6
T +1800 2631866
+1519 6214560
F +1519 6231169
desch.canada@desch.com

DESCH USA Inc.
3501 Embassy
Parkway
Suite 101
Akron
Ohio 44333
T +1 330 937 9030
F +1 330 937 9031
sales_usa@desch.com

DESCH Service Center
USA LP
4940 Merrifield Rd
Dallas
Texas 75236
T +1 469 221 2190
F +1 469 221 2191
desch.dallas@desch.com

DESCH Italy
Drive Technology
Ufficio di rappresentanza
in Italia
Via Cavriana, 3
20134 Milano/Italy
T +39 02 7391 280
F +39 02 7391 410
desch.italia@desch.com

DESCH China
Machinery (Pinghu) Co., Ltd.
No. 1680 Xingping 1 Road, Build. 3
Pinghu Economic Technological
Development Zone
314200 Zhejiang P. R. China
T +86 573 8557 8988
F +86 573 8557 8989
desch.china@desch.com

DESCH do Brasil
Power Transmission S.A.
Rdv Edgar Máximo
Zambotto, s/n km 54
Campo Limpo Paulista, SP
CEP: 13.231-700
T +55 11 4039 8240
F +55 11 4039 8222
desch.brasilien@desch.com